



EUROPEAN PAPER_MAKING TECHNOLOGY LTD.

103 Warner Drive
 Long Sault, Ontario, CANADA
 K0C 1M0

Telephone: (613) 932-3343
 Fax: (613) 937-0125
 Email: epm@hsp.ca

**BERVAC TRIM HANDLING SYSTEM
 INQUIRY INFORMATION SHEET**

INQUIRY ORIGINATOR

DATE:

Name: _____

Position: _____

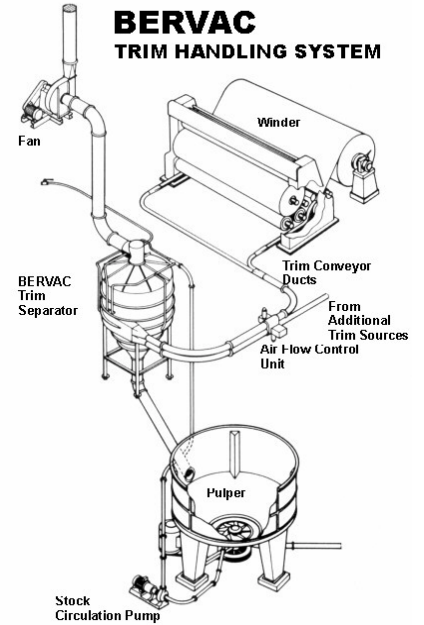
Company: _____

Address: _____

Telephone _____

Fax No.: _____

E-Mail _____



BERVAC SYSTEM DIMENSIONING DATA REQUIREMENTS

Winder/Rewinder No.						
Winder Manufacturer/Type						
Winder Speed						
Paper Grade						
Paper Basis Weight						
Paper Sheet Width						
Paper Sheet Pre-Trim Width						
Maximum Trim Width Per Side						
Appr. Distance From Winder to Common Repulper						